

BP4 Series

SMD Reed Sensor



BP4 series Miniature surface mount (SMD) reed sensor can be axial, J lead design. The compact size makes it available in tape&reel package which is convenient for SMD process. The core of this sensor is a reed switch which is firmly sealed by epoxy. This series of product is design for low electricity application.

Key Features:

- Supplied in tape&reel
- Miniature size
- High stability, high reliability, high consistency
- Design for low power operations

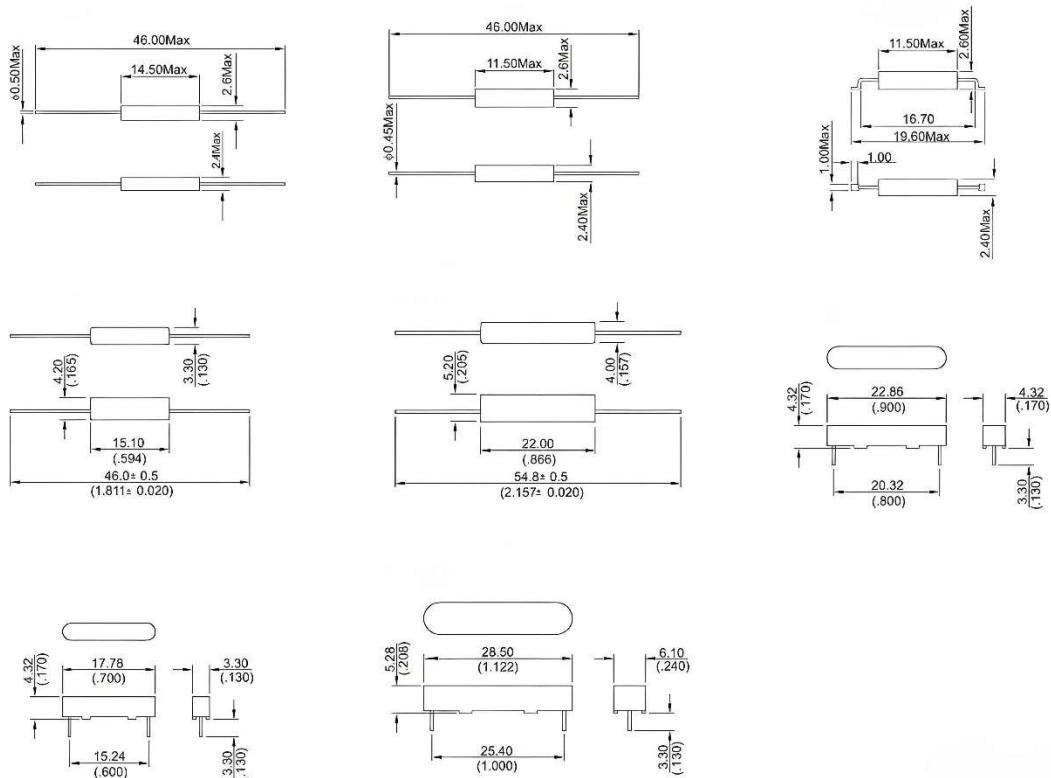
Major application:

- Telecommunication
- Security
- Handhold medical device
- Home appliance

Electrical Data				
Items	Normally Open	Normally Closed	Changeover	Unit
Rated Powe(max)	10	5	5	W
Switch Voltage(max)	200	175	175	V
Switch Current(max)	0.5	0.25	0.25	A
Carry Current(max)	1.0	1.0	1.0	A
Contact Resistance(max)	0.2	0.2	0.2	Ω
Breakdown Voltage(min)	250	200	200	V

Mechanical Data	
Housing Material	Mineral Filled Epoxy
Housing Form	Rectangular/Flange mount/Cylindrical
Housing Color	Black
Lead Design	Flat bent SMD lead, straight PCB lead

Reference Drawing (Different sizes are available, please contact BST for more sensor information)



size in mm